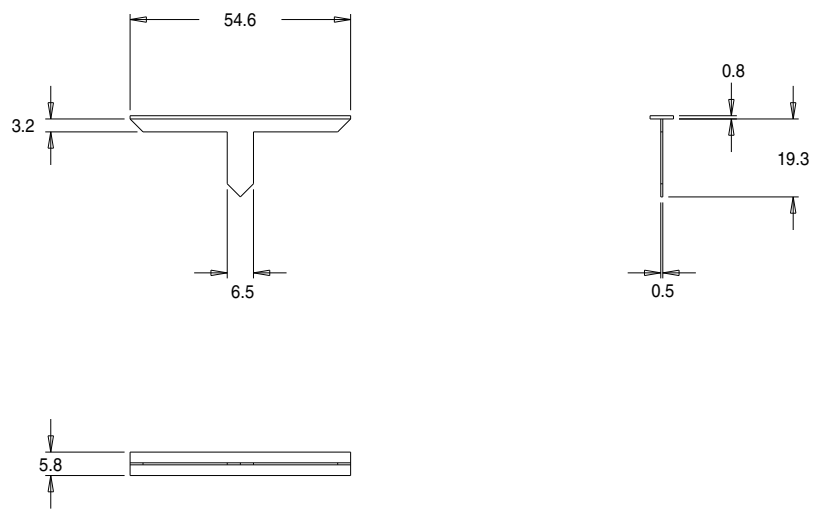


Part No. U39088
UI39 x 8.0 'U' Range T-Piece



Dimensions in millimetres.

